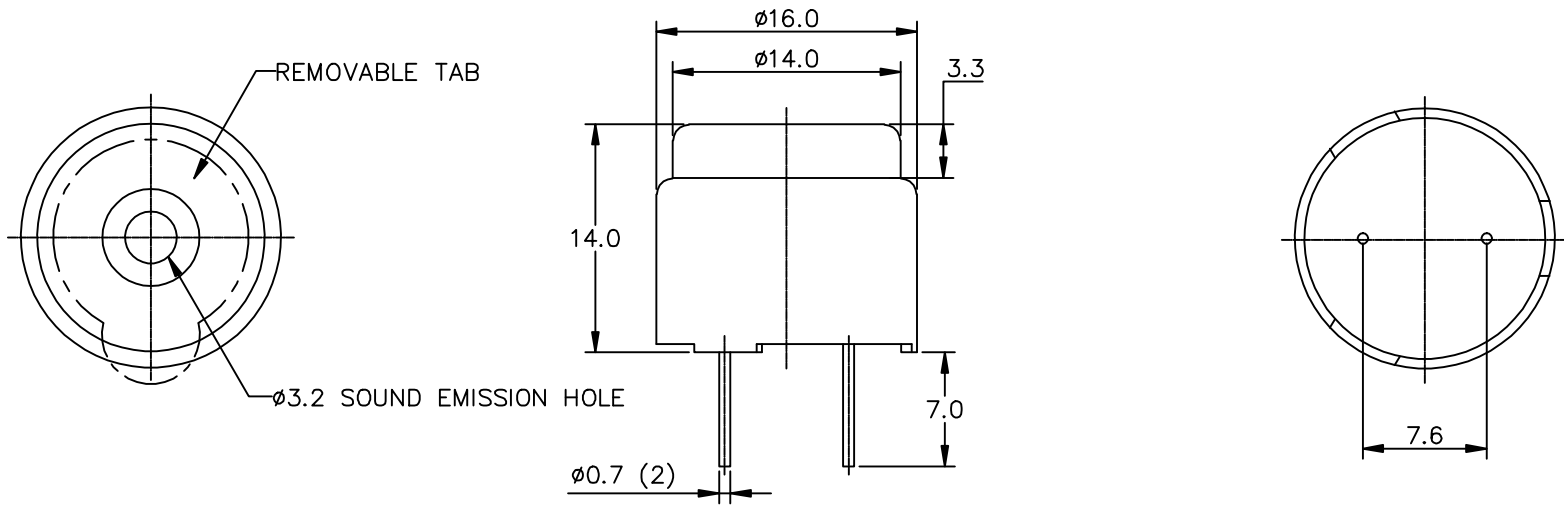


THIS DOCUMENT CONTAINS DATA PROPRIETARY TO PROJECTS UNLIMITED, INC. ANY USE OR REPRODUCTION, IN ANY FORM, WITHOUT PRIOR WRITTEN PERMISSION OF PROJECTS UNLIMITED, INC. IS PROHIBITED.
 ©2003, Projects Unlimited Inc.

SPECIFICATIONS

PARAMETERS	VALUES	UNITS
RATED VOLTAGE (SQUARE WAVE)	6	Vp-p
OPERATING VOLTAGE RANGE	4 ~ 8	Vp-p
RATED CURRENT (MAX)	40	mA
COIL RESISTANCE	50±5	OHM
MINIMUM SPL @ 10 CM	85	dB
RESONANT FREQUENCY	2,048±500	Hz
OPERATING TEMPERATURE	-20 ~ +70	°C
STORAGE TEMPERATURE	-30 ~ +80	°C
HOUSING MATERIAL	NORYL	-
TERMINAL MATERIAL	Sn PLATED COPPER	-
WEIGHT	7	grams

REVISIONS			
LTR	DESCRIPTION	DATE	APPROVED
-	RELEASED FROM ENGINEERING	9/24/04	
A	REMOVED LEAD FREE ADDED RoHS NOTE	8/10/05	
B	REVISED TERMINAL MATERIAL	3/21/06	



NOTES:

1. THIS PART IS RoHS 2002/95/EC COMPLIANT.
2. ALL DIMENSIONS ARE IN MILLIMETERS.
3. SPECIFICATION SUBJECT TO CHANGE OR WITHDRAWAL WITHOUT NOTICE.

UNLESS OTHERWISE SPECIFIED:
 DIMENSIONS ARE IN MILLIMETERS, TOLERANCES ARE ±0.5 AND ANGLES ARE ±3°.

APPROVALS	DATE
DRAWN <i>R.A.C.</i>	2/04
APPROVED <i>R.W.</i>	2/04

 **projects® unlimited** Dayton, Ohio

TRANSDUCER(ELECTRO-MECH)
 AT-1620-TWT-R

SIZE **A** DRAWING NO. AT-1620-TWT-R

FILE NAME
 AT-1620-TWT-R.DWG

DO NOT SCALE DRAWING

SCALE: N.T.S.

SHEET 1 OF 1